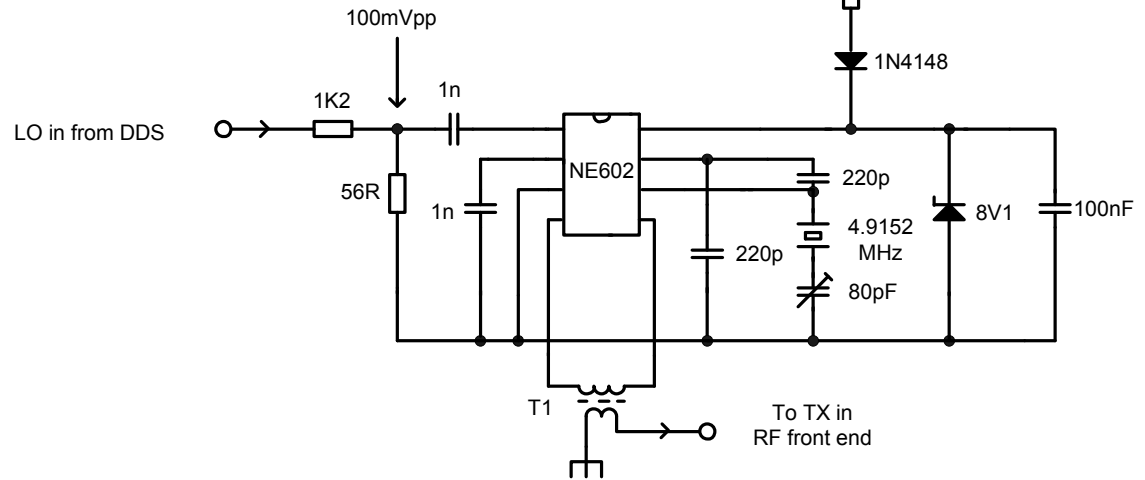


2.2uH = 20t 24swg  
Space wound  
enamelled Cu on  
T68-2 Core, big red  
one

1.1uH = 12t 24 swg  
Space wound  
Enamelled Cu on  
T68-2 Core, big red  
one

0.55uH = 9t 24 swg  
Space wound  
Enamelled Cu on  
T50-2 Core



T1 = 16t Pri  
4t Sec  
32 swg Cu  
enamelled  
On FT50-43 core